
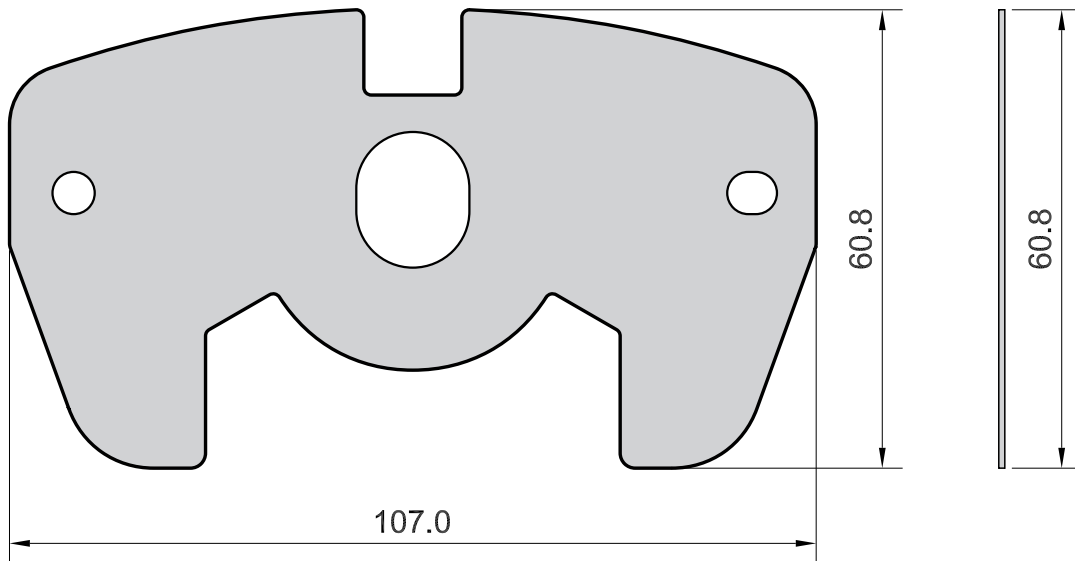


APPLICATION CITROEN:C4 PICASSO,C4,DS4 PEUGEOT:5008,207,307,308,3008,RCZ	AXLE	SCALE	REV.	DATE	SHIM 316
		100%	00	30/03/2017	
	W.V.A. 24558		FMSI	O.E.	 MECCANICHE MARCO MORETTO S.R.L. BRAKE PADS COMPONENTS



Drawing in CAD corrections are not allowed
TOLLERANCE: ± 0.5