
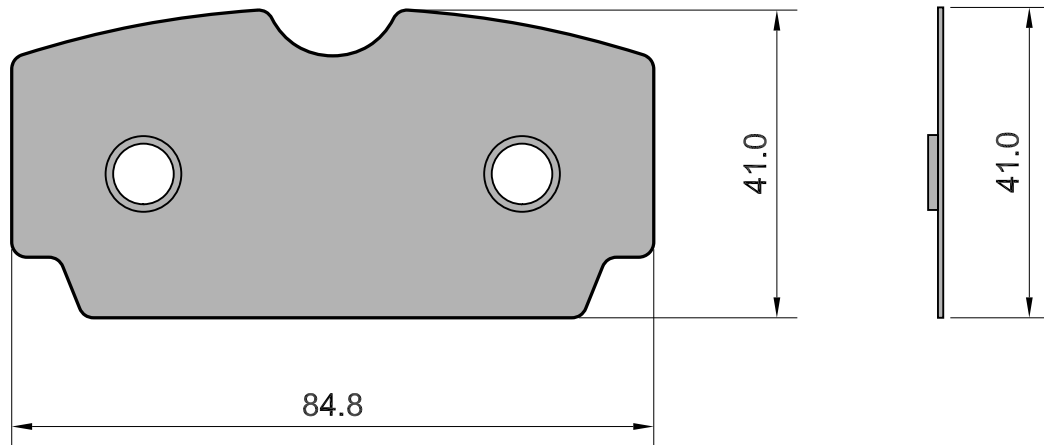


APPLICATION	AXLE	SCALE	REV.	DATE	SHIM 980
	R	100%	00	15/03/2013	
OPEL :VIVARO RENAULT:ESPACE,TRAFIC SEAT:ALHAMBRA VOLKSWAGEN:TRANSPORT	W.V.A. 21748 21882 23223 23224 23446 23980	FMSI D0808 D0706 D0877	O.E. 7D0698451F		 MECCANICHE MARCO MORETTO S.R.L. BRAKE PADS COMPONENTS



Drawing in CAD corrections are not allowed
TOLLERANCE: ± 0.5