
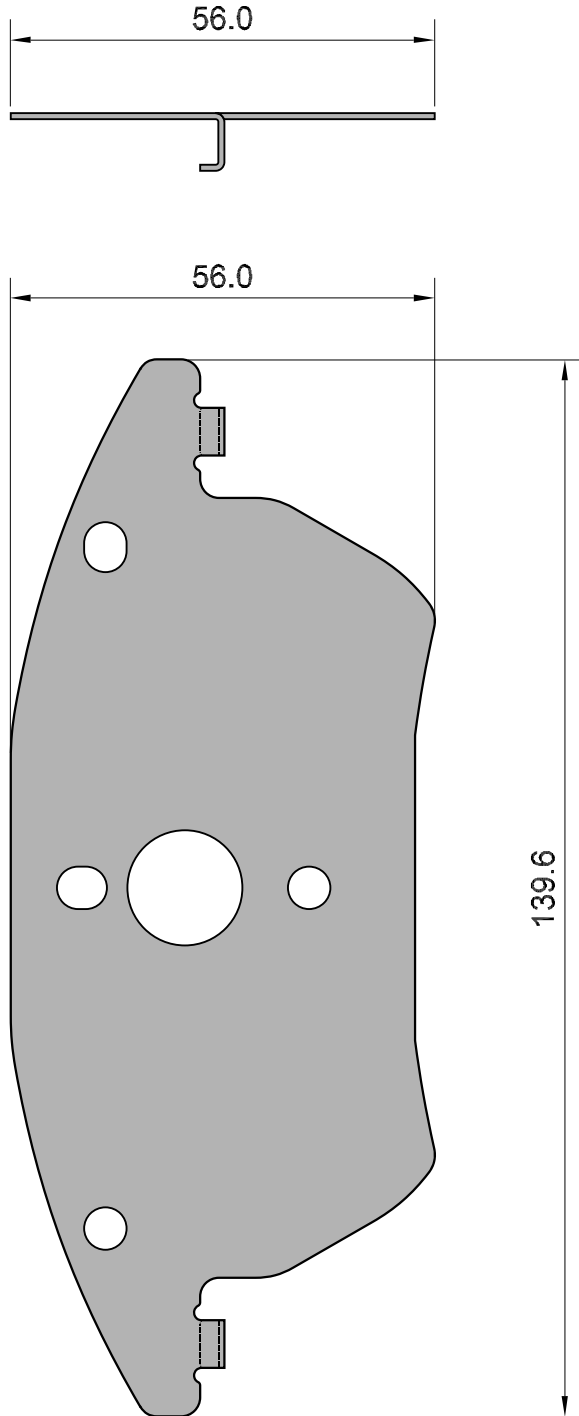


APPLICATION	AXLE	SCALE	REV.	DATE	SHIM 588
	F	100%	00	25/10/2013	
AUDI SEAT SKODA VOLKSWAGEN	W.V.A.	FMSI	O.E.		
	23587	D1107-O	1K0698151		
	23588	D1107-I	1K0698151C		
	23589	D1319-I	1K0698151E		
	24078		3C0698151A		
	24084		5K0698151E		
24153		5C0698151			
					 MECCANICHE MARCO MORETTO S.R.L. BRAKE PADS COMPONENTS



Drawing in CAD corrections are not allowed
TOLLERANCE: ± 0.5