
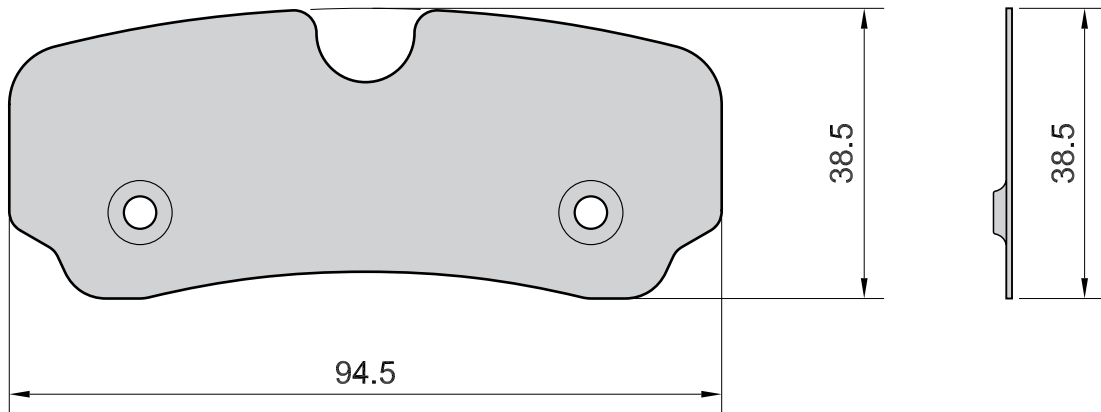


APPLICATION LAND ROVER :DISCOVERY IV, Lr3, RANG ROVER III, RANG ROVER SPORT I	AXLE	SCALE	REV.	DATE	SHIM 575
	R	100%	00	11/11/2014	
	W.V.A. 24192		FMSI D1099	O.E.	 MECCANICHE MARCO MORETTO S.R.L. BRAKE PADS COMPONENTS



Drawing in CAD corrections are not allowed

TOLLERANCE: ± 0.5