
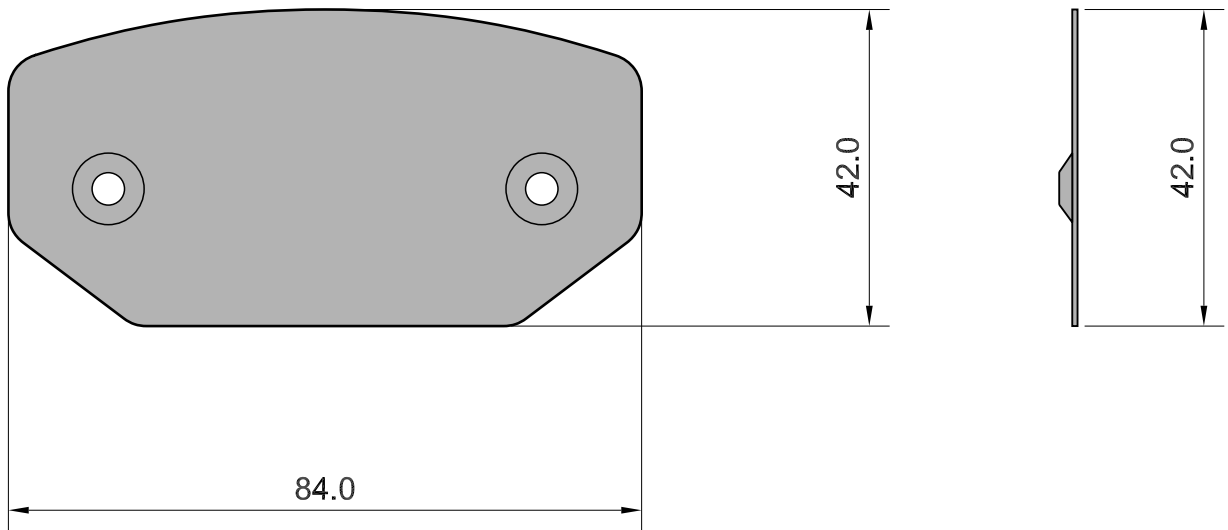


APPLICATION	AXLE	SCALE	REV.	DATE	SHIM 472
	F	100%	00	25/10/2013	
AUDI SEAT SKODA VOLKSWAGEN	W.V.A. 23914 24483	FMSI D1108 D1348	O.E. 1K0698451 1K0698451H 1K0698451K 8E0698451Y 1K0698451G	 <b>MECCANICHE MARCO MORETTO S.R.L.</b> BRAKE PADS COMPONENTS	



Drawing in CAD corrections are not allowed  
**TOLLERANCE: ± 0.5**